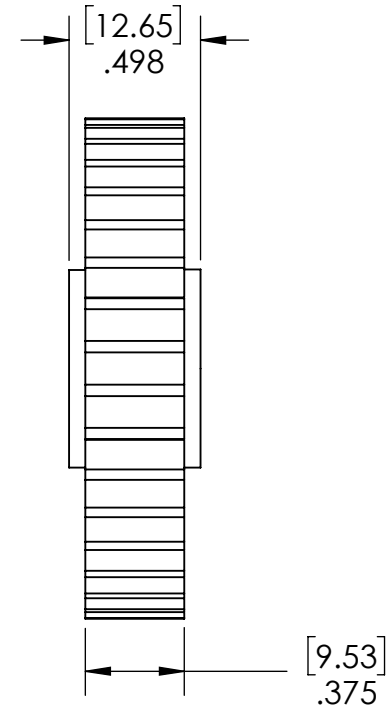
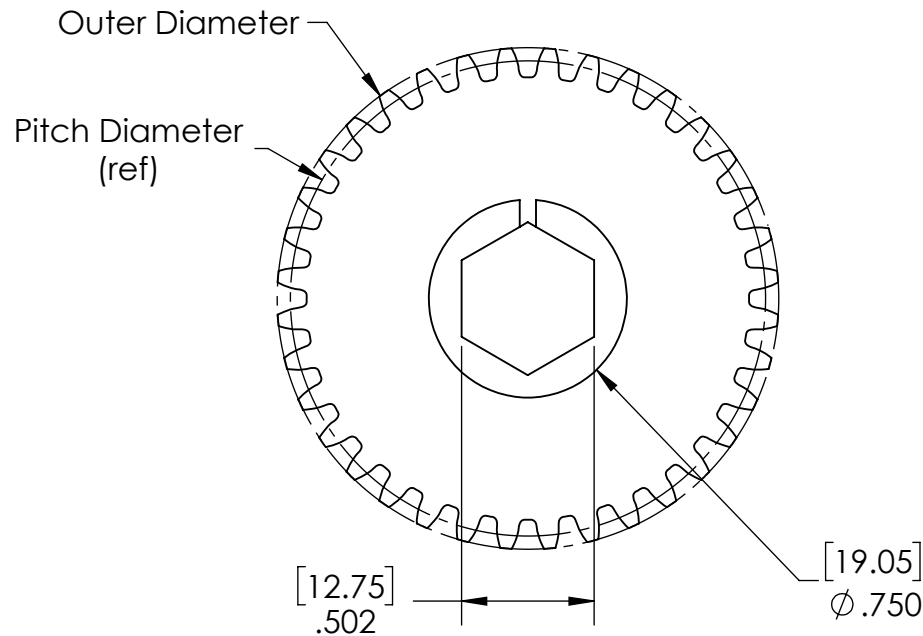
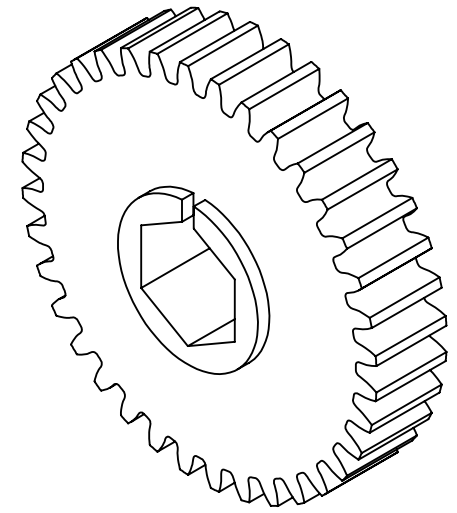


Part #	Tooth Count	Pitch Diameter (ref)	Outer Diameter	Material
WCP-0170	16	0.800	0.900	4140 Steel
WCP-0733	18	0.900	1.000	4140 Steel
WCP-0734	20	1.000	1.100	4140 Steel
WCP-0735	22	1.100	1.200	4140 Steel
WCP-0736	24	1.200	1.300	4140 Steel
WCP-0737	26	1.300	1.400	4140 Steel
WCP-0738	28	1.400	1.500	4140 Steel
217-5469	30	1.500	1.600	4140 Steel
WCP-0173	32	1.600	1.700	4140 Steel
WCP-0174	34	1.700	1.800	4140 Steel
WCP-0175	36	1.800	1.900	4140 Steel
WCP-0176	38	1.900	2.000	4140 Steel



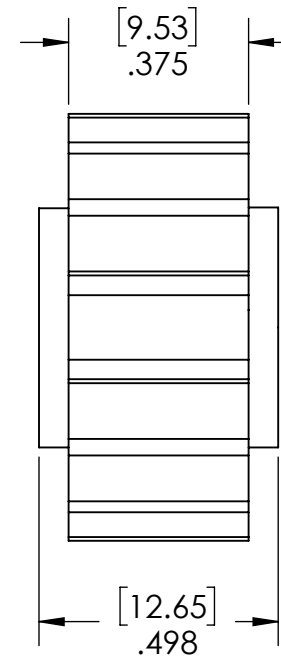
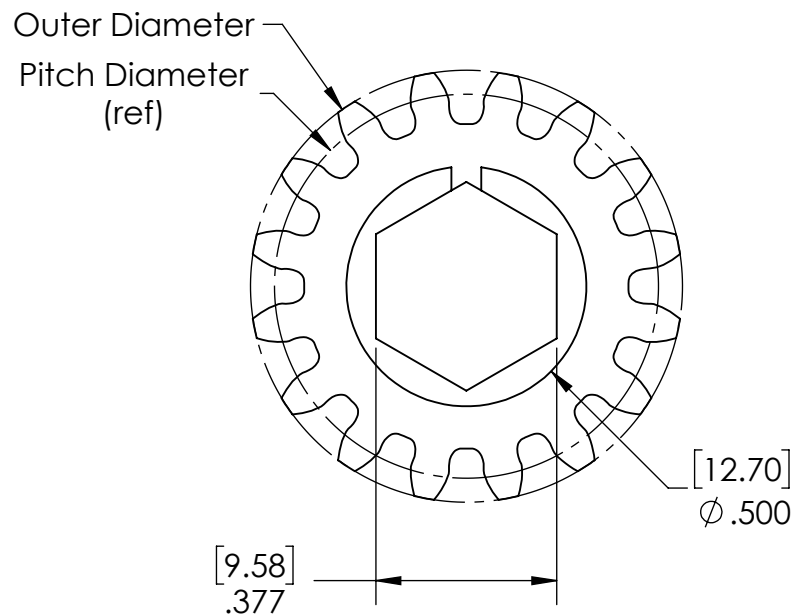
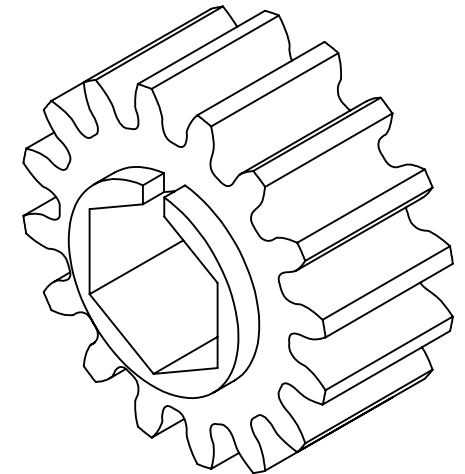
Note:  
For WCP-0170 Rev1,  
This dimension is 0.65



Description	WCP 20DP 1/2" Hex Steel Gears		
Dwg No	20DP Steel Gears		
Project	FIRST Robotics - FRC	Sheet 1 of 1	
Release	1/2/2023	<b>ALL DIMENSIONS ARE IN INCHES [MM].</b>	

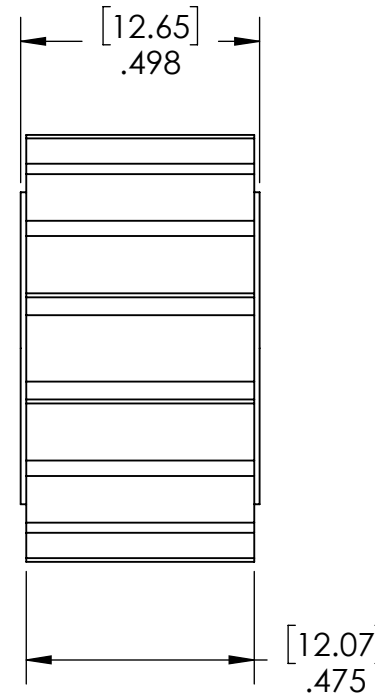
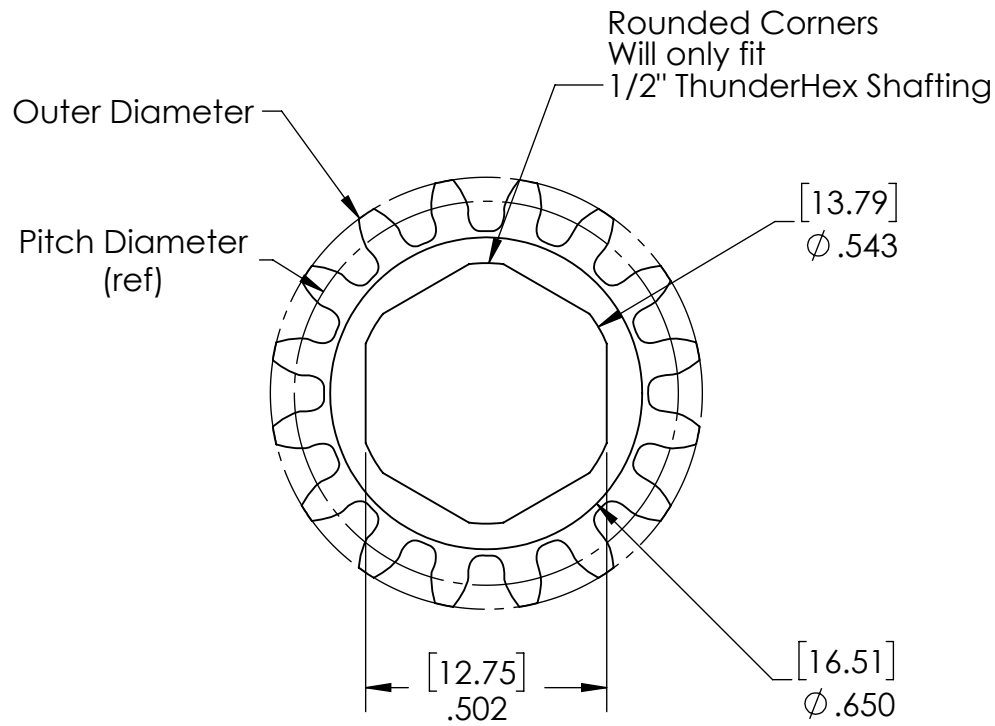
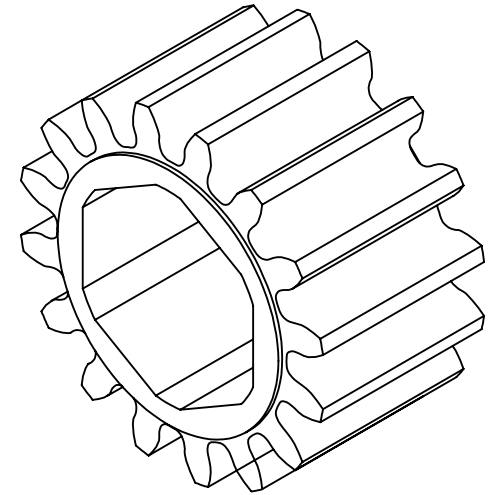
WWW.WCPRODUCTS.COM

Part #	Tooth Count	Pitch Diameter (ref)	Outer Diameter	Material
WCP-0731	14	0.700	0.800	4140 Steel
WCP-0732	16	0.800	0.900	4140 Steel
WCP-0432	18	0.900	1.000	4140 Steel
WCP-0433	20	1.000	1.100	4140 Steel
WCP-0434	22	1.100	1.200	4140 Steel
WCP-0538	24	1.200	1.300	4140 Steel



Description		WCP 20DP 3/8" Hex Steel Gears	
Dwg No		20DP Steel Gears	
Project		FIRST Robotics - FRC	Sheet 1 of 1
Release		1/2/2023	<b>ALL DIMENSIONS ARE IN INCHES [MM].</b>

Part #	Tooth Count	Pitch Diameter (ref)	Outer Diameter	Material
WCP-0290	16	0.800	0.900	4140 Steel



Description WCP 20DP 1/2" ThunderHex Steel Gears	
Dwg No 20DP Steel Gears	
Project FIRST Robotics - FRC	Sheet 1 of 1
Release 1/2/2023	<b>ALL DIMENSIONS ARE IN INCHES [MM].</b>

WWW.WCPRODUCTS.COM